



weiss
RAL9003



grau
RAL9006



3000°K



4000°K

LED Anbauleuchten

3.300 lm - 16.000 lm

LED Leuchtserie ‚EXAL‘ für die Anbaumontage.

Gehäuse:

- Gehäuse aus Aluminium, erhältlich in der Farbe weiss (RAL9003) oder weißaluminium (RAL9006)

Abdeckung:

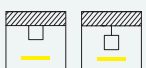
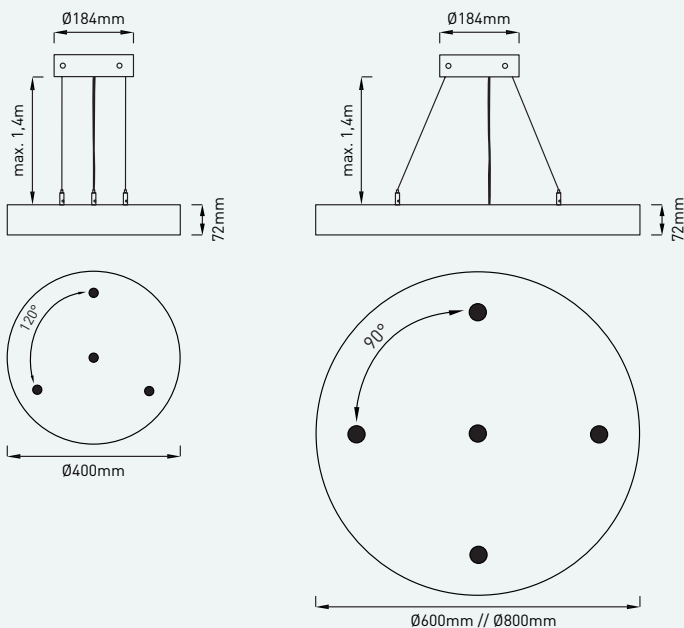
- opal
- mikroprismatisch

Erhältliche Größen:

- ØxH 400 x 72 mm
- ØxH 600 x 72 mm
- ØxH 800 x 72 mm

Auf Anfrage:

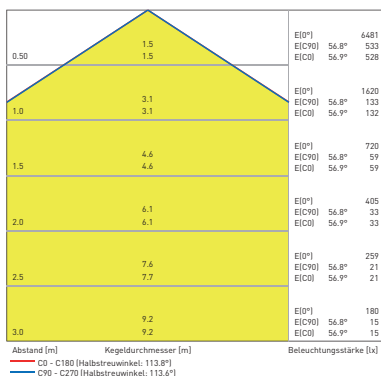
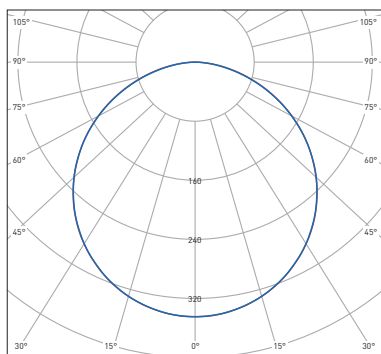
- mit Zubehör für abgehängte Montage



EXAL | opal



EXAL opal Ø400
41W 4000°K:



Artikelnummer ZLED-	Ausführung	Lichtfarbe Kelvin	Ø	Lumen LED	Leistung	Gewicht
EXAL opal - nicht dimmbar						
517EXA428#0400W	weiss (RAL9003)	# = 3 = 3000°K	400 mm	3.300 lm	28W	2,7 kg
517EXA428#0400G	grau (RAL9006)	# = 4 = 4000°K				
517EXA428#0410W	weiss (RAL9003)	# = 3 = 3000°K	400 mm	4.700 lm	41W	2,7 kg
517EXA428#0410G	grau (RAL9006)	# = 4 = 4000°K				
517EXA428#0600W	weiss (RAL9003)	# = 3 = 3000°K	600 mm	4.000 lm	32W	4,0 kg
517EXA428#0600G	grau (RAL9006)	# = 4 = 4000°K				
517EXA428#0610W	weiss (RAL9003)	# = 3 = 3000°K	600 mm	4.900 lm	40W	4,0 kg
517EXA428#0610G	grau (RAL9006)	# = 4 = 4000°K				
517EXA428#0620W	weiss (RAL9003)	# = 3 = 3000°K	600 mm	5.900 lm	48W	4,0 kg
517EXA428#0620G	grau (RAL9006)	# = 4 = 4000°K				
517EXA428#0800W	weiss (RAL9003)	# = 3 = 3000°K	800 mm	8.000 lm	78W	6,0 kg
517EXA428#0800G	grau (RAL9006)	# = 4 = 4000°K				
517EXA428#0810W	weiss (RAL9003)	# = 3 = 3000°K	800 mm	11.900 lm	96W	6,0 kg
517EXA428#0810G	grau (RAL9006)	# = 4 = 4000°K				
517EXA428#0820W	weiss (RAL9003)	# = 3 = 3000°K	800 mm	16.000 lm	126W	6,0 kg
517EXA428#0820G	grau (RAL9006)	# = 4 = 4000°K				
EXAL opal - DALI dimmbar						
517EXA498#0400W	weiss (RAL9003)	# = 3 = 3000°K	400 mm	3.300 lm	28W	2,7 kg
517EXA498#0400G	grau (RAL9006)	# = 4 = 4000°K				
517EXA498#0410W	weiss (RAL9003)	# = 3 = 3000°K	400 mm	4.700 lm	41W	2,7 kg
517EXA498#0410G	grau (RAL9006)	# = 4 = 4000°K				
517EXA498#0600W	weiss (RAL9003)	# = 3 = 3000°K	600 mm	4.000 lm	32W	4,0 kg
517EXA498#0600G	grau (RAL9006)	# = 4 = 4000°K				
517EXA498#0610W	weiss (RAL9003)	# = 3 = 3000°K	600 mm	4.900 lm	40W	4,0 kg
517EXA498#0610G	grau (RAL9006)	# = 4 = 4000°K				
517EXA498#0620W	weiss (RAL9003)	# = 3 = 3000°K	600 mm	5.900 lm	48W	4,0 kg
517EXA498#0620G	grau (RAL9006)	# = 4 = 4000°K				
517EXA498#0800W	weiss (RAL9003)	# = 3 = 3000°K	800 mm	8.000 lm	78W	6,0 kg
517EXA498#0800G	grau (RAL9006)	# = 4 = 4000°K				
517EXA498#0810W	weiss (RAL9003)	# = 3 = 3000°K	800 mm	11.900 lm	96W	6,0 kg
517EXA498#0810G	grau (RAL9006)	# = 4 = 4000°K				
517EXA498#0820W	weiss (RAL9003)	# = 3 = 3000°K	800 mm	16.000 lm	126W	6,0 kg
517EXA498#0820G	grau (RAL9006)	# = 4 = 4000°K				

Sonstiges:

- Hohe Lebensdauer: 80.000 Stunden (gemäß L80B50)
- Zubehör für abgehängte Montage erhältlich




mikroprismatisch | EXAL

Artikelnummer ZLED-	Ausführung	Lichtfarbe Kelvin	Ø	Lumen LED	Leistung	Gewicht
EXAL mikroprismatisch - nicht dimmbar						
517EXA528#0400W	weiss (RAL9003)	# = 3 = 3000°K	400 mm	3.300 lm	28W	2,7 kg
517EXA528#0400G	grau (RAL9006)	# = 4 = 4000°K				
517EXA528#0410W	weiss (RAL9003)	# = 3 = 3000°K	400 mm	4.700 lm	41W	2,7 kg
517EXA528#0410G	grau (RAL9006)	# = 4 = 4000°K				
517EXA528#0600W	weiss (RAL9003)	# = 3 = 3000°K	600 mm	4.000 lm	32W	4,0 kg
517EXA528#0600G	grau (RAL9006)	# = 4 = 4000°K				
517EXA528#0610W	weiss (RAL9003)	# = 3 = 3000°K	600 mm	4.900 lm	40W	4,0 kg
517EXA528#0610G	grau (RAL9006)	# = 4 = 4000°K				
517EXA528#0620W	weiss (RAL9003)	# = 3 = 3000°K	600 mm	5.900 lm	48W	4,0 kg
517EXA528#0620G	grau (RAL9006)	# = 4 = 4000°K				
517EXA528#0800W	weiss (RAL9003)	# = 3 = 3000°K	800 mm	8.000 lm	78W	6,0 kg
517EXA528#0800G	grau (RAL9006)	# = 4 = 4000°K				
517EXA528#0810W	weiss (RAL9003)	# = 3 = 3000°K	800 mm	11.900 lm	96 W	6,0 kg
517EXA528#0810G	grau (RAL9006)	# = 4 = 4000°K				
517EXA528#0820W	weiss (RAL9003)	# = 3 = 3000°K	800 mm	16.000 lm	126 W	6,0 kg
517EXA528#0820G	grau (RAL9006)	# = 4 = 4000°K				
EXAL mikroprismatisch - DALI dimmbar						
517EXA598#0400W	weiss (RAL9003)	# = 3 = 3000°K	400 mm	3.300 lm	28W	2,7 kg
517EXA598#0400G	grau (RAL9006)	# = 4 = 4000°K				
517EXA598#0410W	weiss (RAL9003)	# = 3 = 3000°K	400 mm	4.700 lm	41W	2,7 kg
517EXA598#0410G	grau (RAL9006)	# = 4 = 4000°K				
517EXA598#0600W	weiss (RAL9003)	# = 3 = 3000°K	600 mm	4.000 lm	32W	4,0 kg
517EXA598#0600G	grau (RAL9006)	# = 4 = 4000°K				
517EXA598#0610W	weiss (RAL9003)	# = 3 = 3000°K	600 mm	4.900 lm	40W	4,0 kg
517EXA598#0610G	grau (RAL9006)	# = 4 = 4000°K				
517EXA598#0620W	weiss (RAL9003)	# = 3 = 3000°K	600 mm	5.900 lm	48W	4,0 kg
517EXA598#0620G	grau (RAL9006)	# = 4 = 4000°K				
517EXA598#0800W	weiss (RAL9003)	# = 3 = 3000°K	800 mm	8.000 lm	78W	6,0 kg
517EXA598#0800G	grau (RAL9006)	# = 4 = 4000°K				
517EXA598#0810W	weiss (RAL9003)	# = 3 = 3000°K	800 mm	11.900 lm	96 W	6,0 kg
517EXA598#0810G	grau (RAL9006)	# = 4 = 4000°K				
517EXA598#0820W	weiss (RAL9003)	# = 3 = 3000°K	800 mm	16.000 lm	126 W	6,0 kg
517EXA598#0820G	grau (RAL9006)	# = 4 = 4000°K				


Sonstiges:

- Hohe Lebensdauer: 80.000 Stunden (gemäß L80B50)
- Zubehör für abgehängte Montage erhältlich



EXAL | Zubehör

Artikelnummer	Beschreibung
ZLED-	
517EXA04000410W	Seilabhängung SET
517EXA04000430W	Seilabhängung SET + Kabel 3-polig
517EXA04000450W	Seilabhängung SET + Kabel 5-polig

